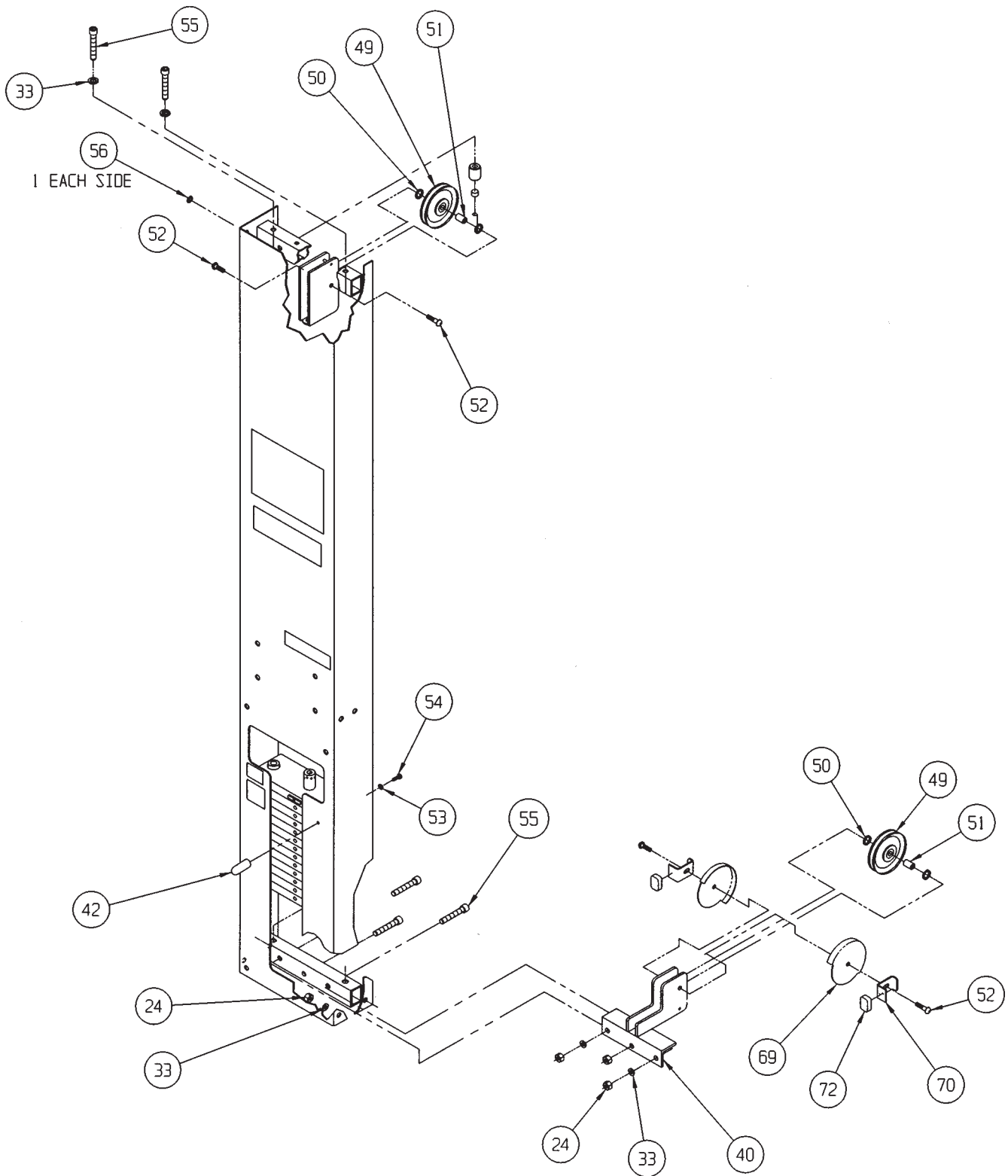


MODULAR PRESSING STATION

5647 AND 5306

ASSEMBLY & PARTS



MODULAR CONFIGURATION

5647 - Modular Pressing Station & 5306 - Free Standing Pressing Station

ITEM	QTY	PART NO.	DESCRIPTION
1	2	01190	Black Vinyl End Cap
2	2	01470	Pulley Guard
3	2	08014	Pulley Assembly 4.50
4	1	01872	Cybox Knob
5	1	4505-329	Detent Pin
6	2	08301	Hand Grip 6.00 L
7	2	4000-100	Pillow Block Bearing
8	4	4000Y316	Caution Decal
9	1	4800-570	Cable Guard
10	1	5305-002	Cable Subassembly
11	1	5305-201	Platform
12	1	5305-202	Bar Stop
13	1	5305-203	Link
14	1	5305-204	Arm
15	1	5305-305	Pivot Shaft
16	1	5305-310S	Brace Tube Set
17	1	BS070201	Com Spring .56 x .66 x 1.50 L
18	1	FB030213	Female Rod End Bearing .375-24
19	2	FB030212	Flange Bearing .75 x .88 x .75 L
20	2	HC700415	BHSCS .375-16 x .75
21	4	HC700417	BHSCS .375-16 x 1.00
22	1	HC702828	SHCS .375-16 x 2.25
23	7	HN704901	Nylon Locknut .375-16
24	16	HN784000	Hex Nut .50-13
25	2	HN784900	Nylon Locknut .50-13
26	2	HS347700	USS Washer .375
27	1	JC700420	BHSCS .375-16 x 1.25
28	1	JC702824	SHCS .375-16 x 1.75
29	8	JC780417	BHSCS .50-13 x 1.00
30	2	JC780420	BHSCS .50-13 x 1.25
31	4	JC780422	BHSCS .50-13 x 1.50
32	1	JN714400	Jam Nut .375-24
33	10	JS388300	Split Lockwasher .50
34	6	PP080202	Plastic Insert 1.19 Dia. x 11 G
35	1	PP080222	Vinyl End Cap .50 x .50
36	2	PP090206	Plastic Insert
37	5	PP090210	Plastic Insert 2.00 Sq x 10-14 G
38	1	PU060203	Bumper
39	2	01239	Weight Stack Spacer
40	1	01247	Pulley Mount
41	2	01755	Guide Rod Collet
42	1	02106	Half Weight Peg
43	1	02521	Caution Decal
44	1	3900-426	Vortex Decal
45	1	4800-381	Warning Decal
46	1	5305-598	Placard Decal
47	2	5310M035	Weight Stack Guide Rod
48	2	PR060005	Weight Bumper
49	2	GP000000	Pulley Assembly 4.50
50	4	GP000004	Pulley Spacer
51	2	GP000203	Pulley Center
52	4	HC700414	BHSCS .375-16 x .62
53	1	HS308300	Split Lockwasher .25
54	1	JC620415	BHSCS .25-20 x .75
55	5	JC782830	SHCS .50-13 x 2.50
56	4	PN660201	Hole Plug
57	2	PP080204	Plastic Cap .625 ID x .68 OD
58	1	4700-010	Top Weight Assembly
59	2	4700-019	Flange Bearing
60	2	BR030206	Retaining Ring
61	1	HP286819	Spiral Pin
62	1	4700M005	Rubber Cap
63	19	4005C062	Stack Weight
64	1	5310P044	Weight Selector Pin
65			Removed
66	1	3900-378	Cybox Decal 11.37 Vert. Wht/Plm
66	1	3900-391	Cybox Decal 11.37 Vert. Blk/Plm
66	1	3900-419	Cybox Decal 11.37 Vert. Wht/Wht
67	1	5301-200	Base
68	1	5301-201	Cover
69	2	5301-310	Pulley Guard
70	2	5301-311	Stop

ITEM	QTY	PART NO.	DESCRIPTION
71	1	JC782836	SHCS .50-13 x 3.25
72	2	PU060201	Bumper
73	1	4800-515	Weight Plate Decal
74	2	HS760106	Flat Washer 1.75 OD .69 ID .14 T
75			Removed
76	1	C-ZA000200	Half Weight

Assembly Notes

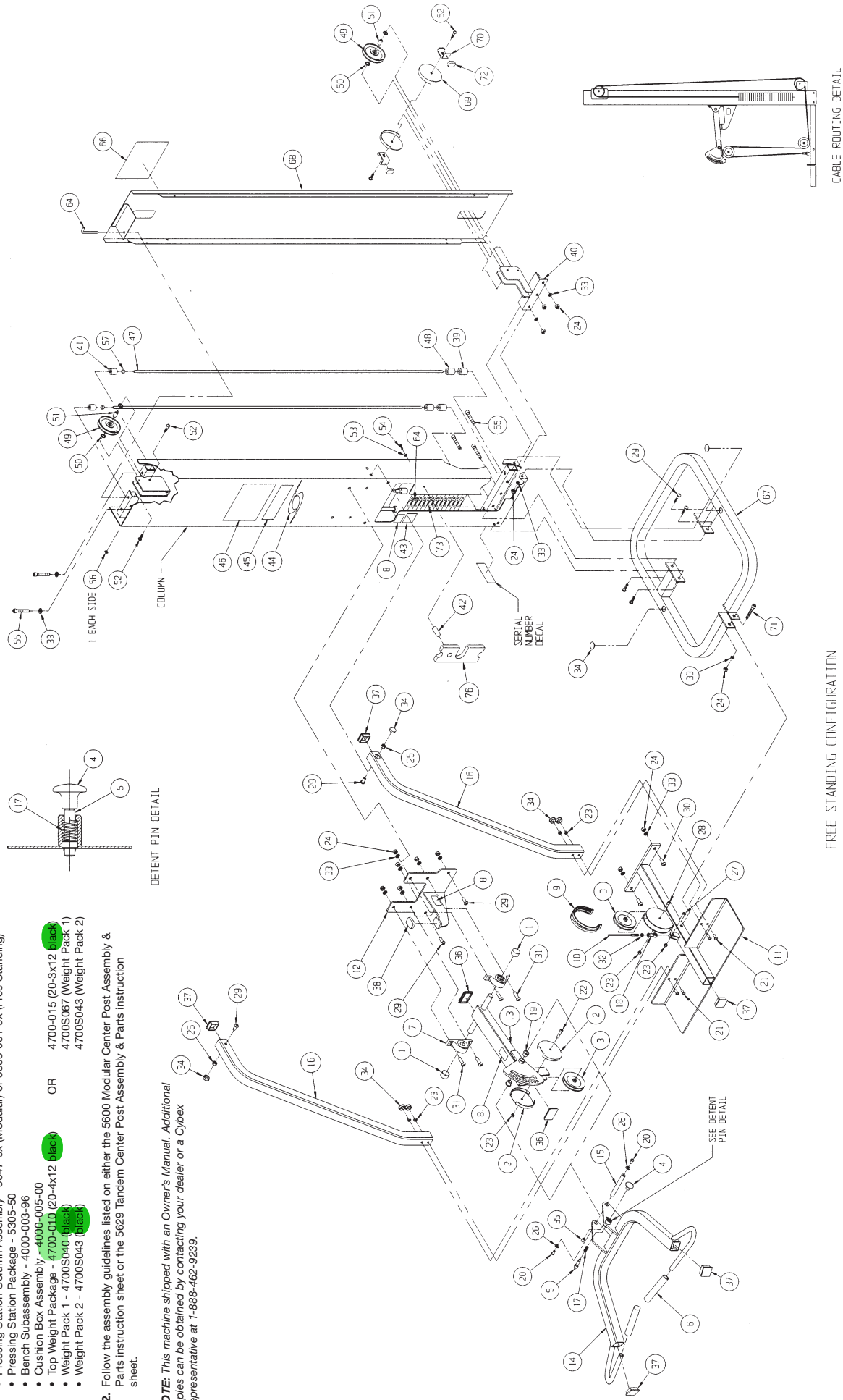
- Keep all shipping packages near area of installation. Standard items include:
 - Pressing Station Column Assembly - 5647-9x (Modular) or 5305-001-9x (Free Standing)
 - Pressing Station Package - 5305-50
 - Bench Subassembly - 4000-003-96
 - Cushion Box Assembly - 4000-005-00
 - Top Weight Package - 4700-010 (20-4x12 **black**)
 - Weight Pack 1 - 4700S040 (**black**)
 - Weight Pack 2 - 4700S043 (**black**)

OR

- 4700-015 (20-3x12 **black**)
- 4700S067 (Weight Pack 1)
- 4700S043 (Weight Pack 2)

- Follow the assembly guidelines listed on either the 5600 Modular Center Post Assembly & Parts instruction sheet or the 5629 Tandem Center Post Assembly & Parts instruction sheet.

NOTE: This machine shipped with an Owner's Manual. Additional copies can be obtained by contacting your dealer or a Cybex Representative at 1-888-462-9239.



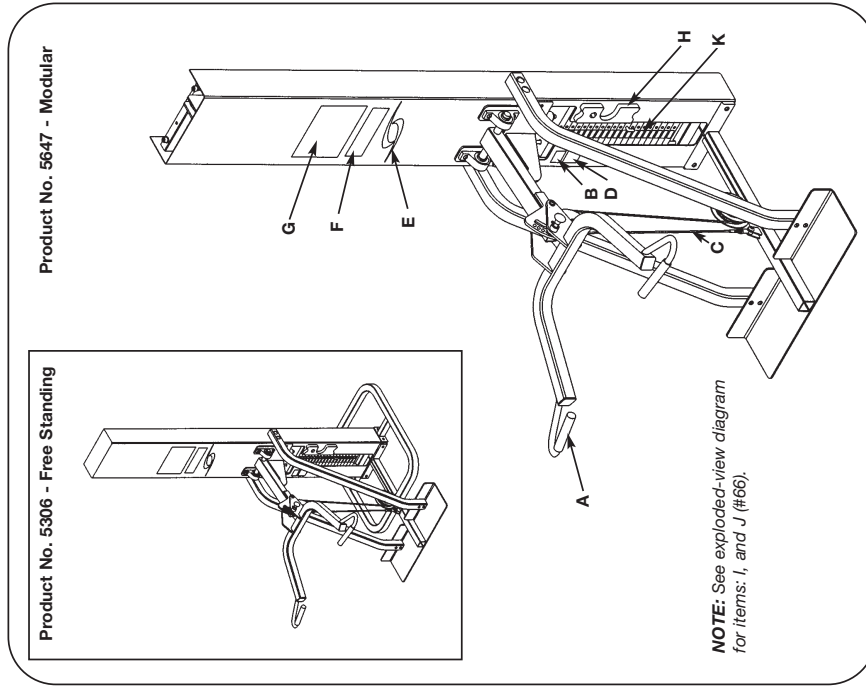
FREE STANDING CONFIGURATION

CABLE ROUTING DETAIL

MODULAR PRESSING STATION

5647 AND 5306

ASSEMBLY & PARTS



DESCRIPTION	PART NO.	DESCRIPTION	PART NO.
A. Hand Grip	08301	H. Weight Selector Pin	5310P044
B. Caution Decal	4000Y316	I. Serial Number Decal	3900-378
C. Cable Subassembly	5305-002	J. Cybex Decal WHT/PLM	3900-391
D. Caution Decal	02521	J. Cybex Decal BLK/PLM	3900-419
E. Vortex Decal	3900-426	K. Weight Plate Decal	4800-515
F. Warning Decal	4800-381		
G. Placard Decal	5305-598		

